

IK-525/545

系列长伸缩式吹灰器

Series Long Retractable Sootblower



零件对照表
PARTS
IDENTIFICATION

CB-25/45 & CB-25/45B

系列长伸缩&半伸缩式吹灰器

Long & Half Retractable

克莱德贝尔格曼(湖北)机械有限公司

CLYDE BERGEMANN DPMH Machinery Co., Ltd.

www.cbpg.com

Tel: 86-21-65396385

Fax: 86-21-65661886

Rev 0

Release Date

2025. 6. 3

IMPORTANT NOTICES

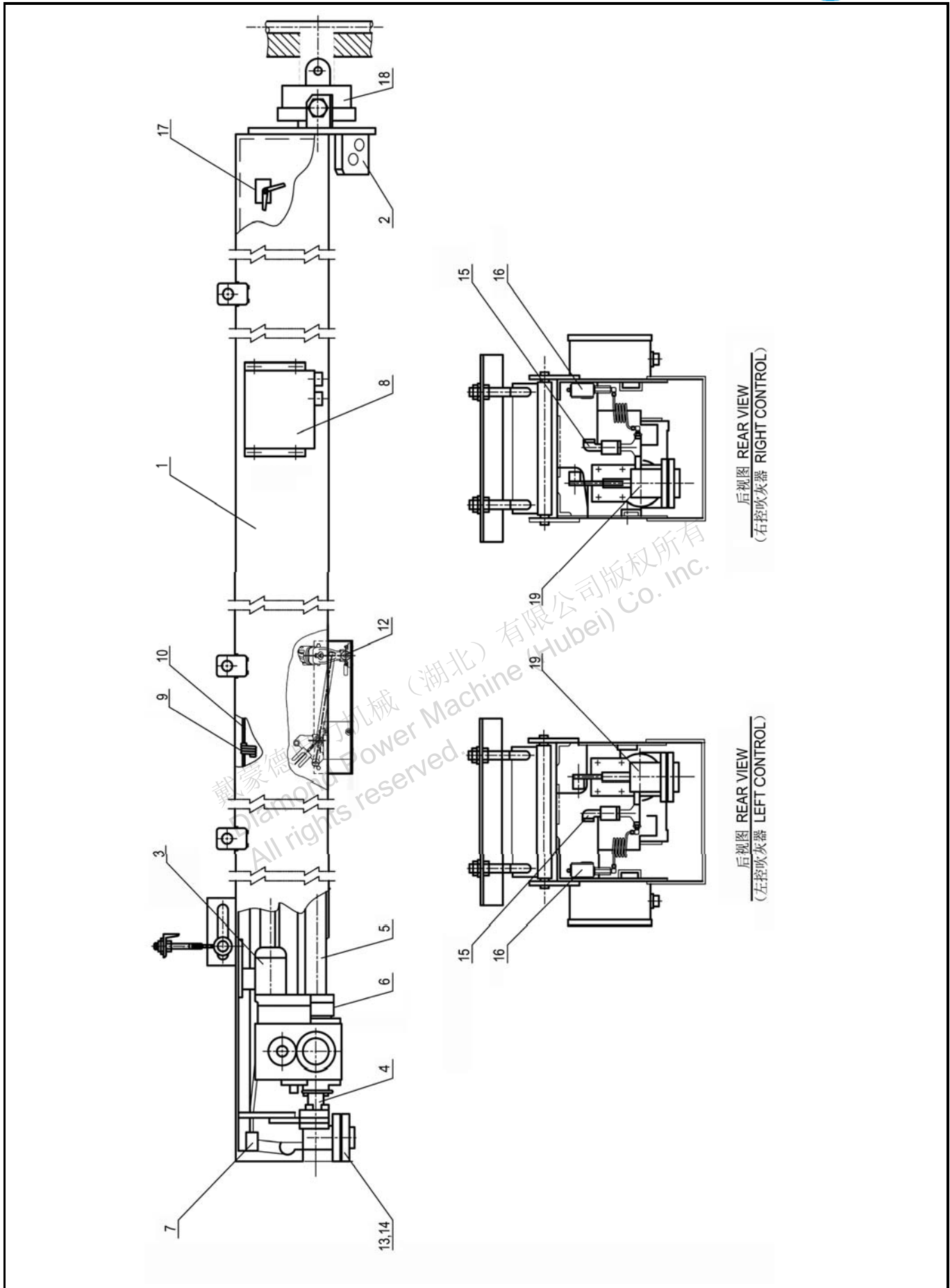


Cautions, Warnings and Safety Information

1. This manual has been prepared for use by those responsible for the operation and maintenance of the equipment. Please read the entire manual before installing, operating or maintaining the equipment. NOTE: Failure to adhere to the procedures and methods in this manual or failure to use Diamond Power parts or procedures may void any stated or implied warranty.
2. This manual contains numerous warning and cautionary notes. Carefully read and comply with all warnings and cautions to minimize the risk of personal injury or damage to the unit. In this manual, "WARNING" constitutes a possible personal injury situation and "CAUTION" constitutes possible equipment damage that may render it unsafe or may void the warranty. These warnings and cautions are not exhaustive, so adherence to general safety practices should always accompany operation and maintenance of the unit.
3. The contents of this manual are assumed to be accurate at the time of this printing. Diamond Power Machine (Hubei) Co. Inc. reserves the right to change the content, product specification, and performance criteria without notice. Diamond Power accepts no liability for the inappropriate, negligent or incorrect setup of the equipment's operational parameters.
4. THIS MANUAL MAY DESCRIBE VARIABLE FEATURES NOT APPLICABLE TO YOUR SPECIFIC UNIT. THE PARTS IDENTIFICATION FORMS INCLUDED IN THE APPENDIX OF THIS MANUAL MAY ALSO INCLUDE VARIABLE OPTIONS OF THESE ASSEMBLIES.

目 录 CONTENT

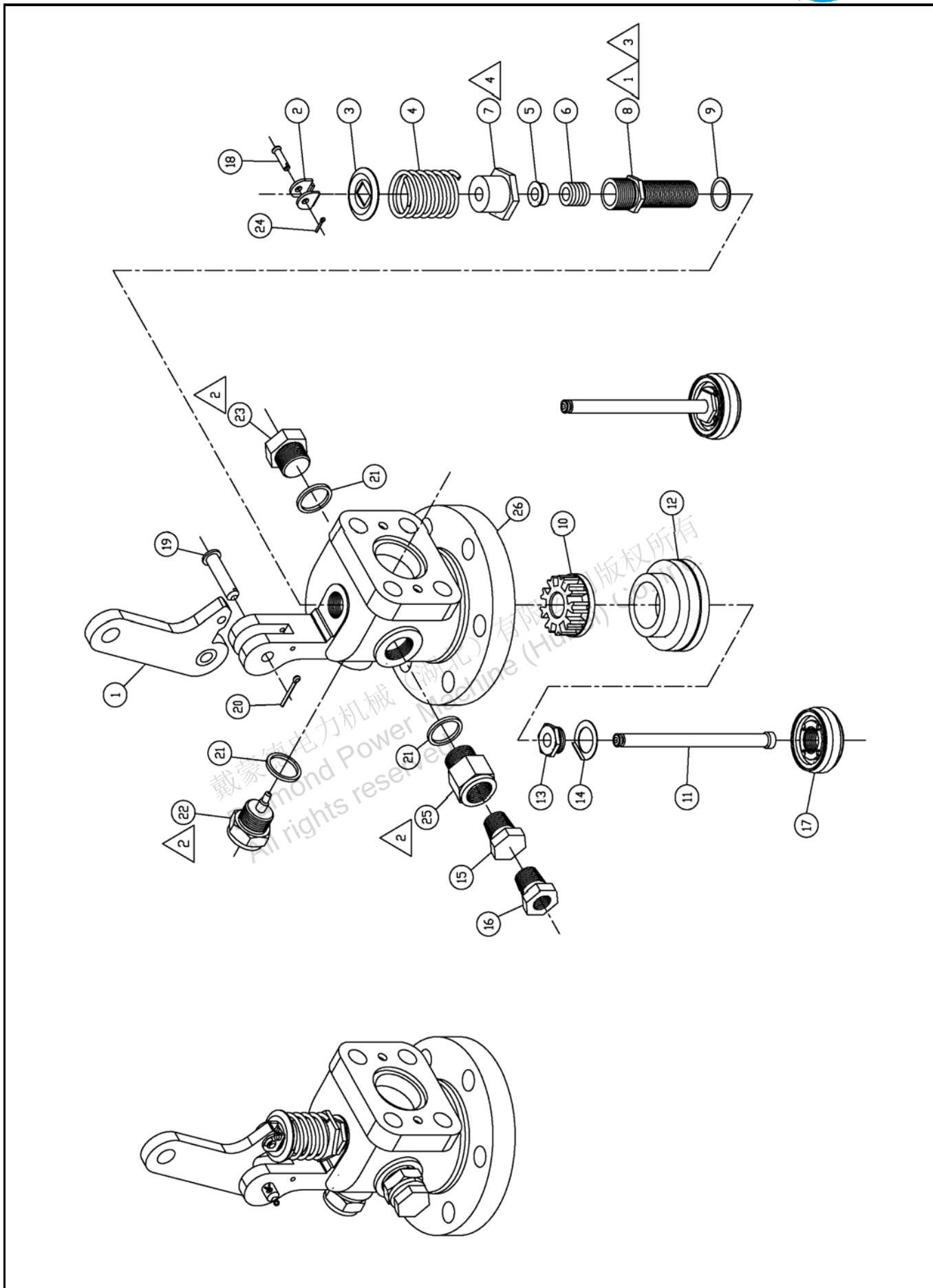
IK-525/545 吹灰器总成 IK-525/545 Sootblower Assembly	1
IK-525/545 提升阀总成 IK-525/545 Poppet Valve Assembly	3
IK-525/545 阀门启闭机构 IK-525/545 Blowing Medium Turn-on Assembly	5
IK-525/545 跑车总成 IK-525/545 Carriage Assembly	7
IK-525/545 吹灰枪管联接及填料 IK-525/545 Lance Joint and Packing Assembly	12
IK-525/545 前支撑滚轮部件 IK-525/545 Front Support Roller Assembly	13
IK-525/545 正压墙箱部件 IK-525/545 Positive Pressure Wallbox Assembly	14
IK-525/545 负压墙箱部件 IK-525/545 Negative Pressure Wallbox Assembly	15
IK-525/545 提升阀、空气阀和管件 IK-525/545 Poppet Valve, Air Relief Valve And Piping	16
IK-525 弹性电缆组件 IK-525 Expanda Cable Assembly	17
IK-545 弹性电缆组件 IK-545 Expanda Cable Assembly	19
IK-545 内外管辅助托架 IK-545 Lance and Feed Tube Auxiliary Support Assembly	21
IK-525/545 电气控制盒 IK-525/545 Electric Terminal Box	23
IK-525/545 专用工具 IK-525/545 Special Tools	24
附件一：IK-525EL/545EL 零件对照表	
Attachment 1: IK-525EL/545EL Parts Identification	25
附件二：IK-525SL 吹灰器零件对照表	
Attachment 2: IK-525SL Parts Identification	26
附件三：IK-AH500 吹灰器零件对照表	
Attachment 3: IK-AH500 Parts Identification	27



IK-525/545 吹灰器总成 IK-525/545 Sootblower Assembly - PI 3990

IK-525/545 吹灰器零件对照表 IK-525/545 Parts Identification

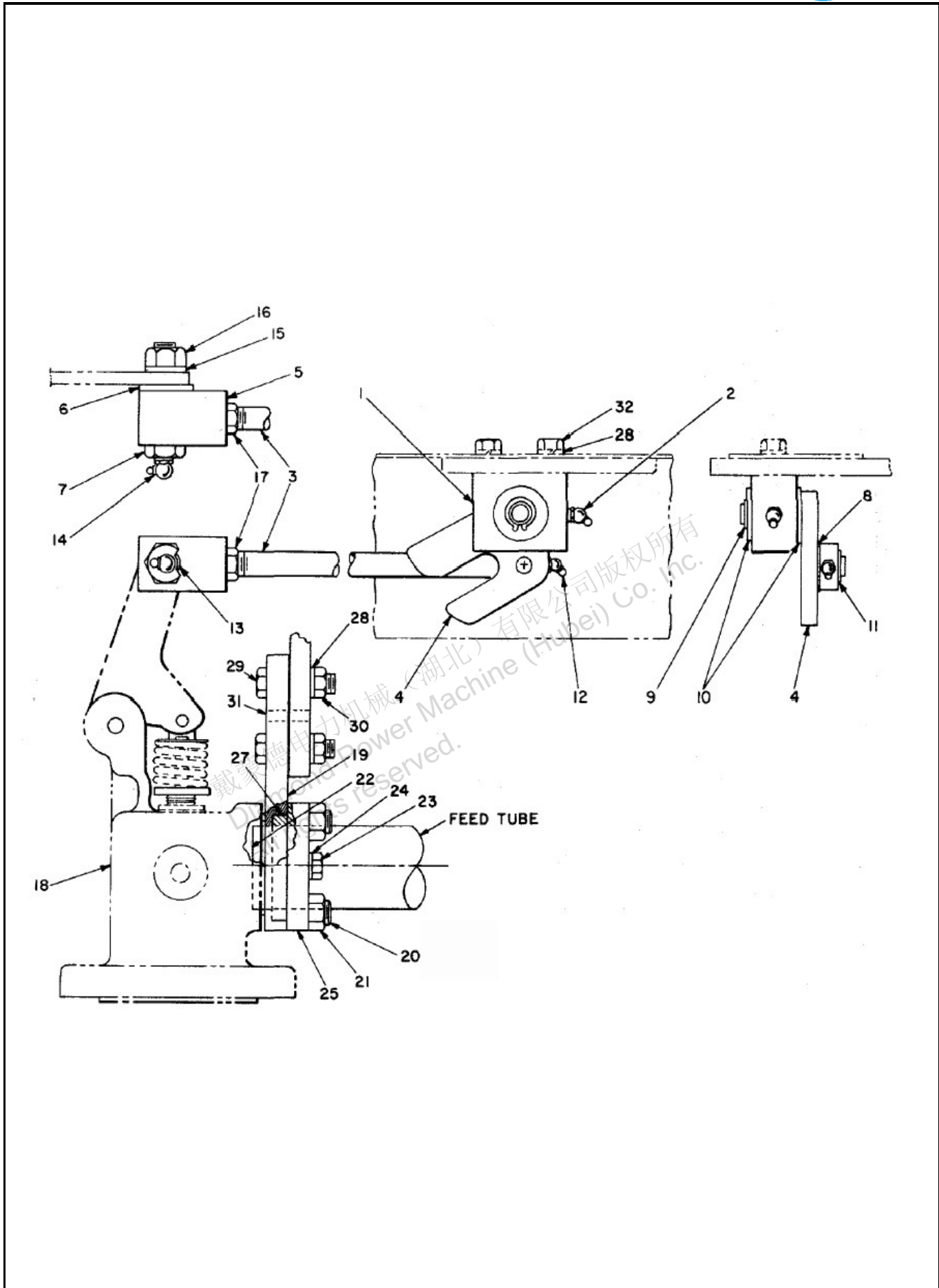
IK-525/545 吹灰器总成 IK-525/545 Sootblower Assembly				PI 3990	
序号 ITEM	零件号 PART NO.	名称 DESCRIPTION	数量 QTY	备注 REMARK	
1	349690-0048	梁体	1	FOR IK-525	
	349777-0044	梁体		FOR IK-545	
2	324207-1029	前支承	1		
3	405001-0026	电动机	1	FOR IK-525	
	405001-0026	电动机		FOR IK-545	
4	310635-1137	内管 Φ60x4	1	PER ORDER	
	336764-1135	内管 Φ70x4.5		PER ORDER	
5	PER ORDER	吹灰枪及喷头	1		
6	347139-0041	吹灰管连接与填料	1	FOR IK-525	
	351112-0044	吹灰管连接与填料		FOR IK-545	
7	347319-0043	阀门启闭机构	1		
8	347347-0049	电气接线盒组件	1		
9	347355-0048	弹性电缆机构(左)	1		
	347254-0049	弹性电缆机构(右)			
	347473-0045	弹性电缆机构(左)	1		
	347472-0046	弹性电缆机构(右)			
10	405588-0126	弹性电缆挂杆 Φ6	1	FOR IK-525	
	405589-0125	弹性电缆挂杆 Φ10		FOR IK-545	
11	350207-0042	跑车部件 (左)	1		
	350206-0043	跑车部件 (右)			
12	349801-0044	内外管辅助托架	1	FOR IK-545	
13	405314-0127	配偶法兰 600系列	1	FOR 600 SERIE	
	318975-1138	配偶法兰 900系列		FOR 900 SERIE	
14	347099-0031	配偶法兰五金件	1		
15	343503-1038	空气阀	1		
16	347409-0036	压力开关组件	A/R	PER ORDER	
17	E10301-0001	行程开关 NX7	2		
18	326499-1039	正压墙箱部件	1		
	333220-1031	负压墙箱部件			
19	350654-0032	提升阀部件	1		
20	PER ORDER	清洁空气和正压系统	A/R		



IK-525/545 提升阀总成 IK-525/545 Poppet Valve Assembly - PI 4134

IK-525/545 吹灰器零件对照表 IK-525/545 Parts Identification

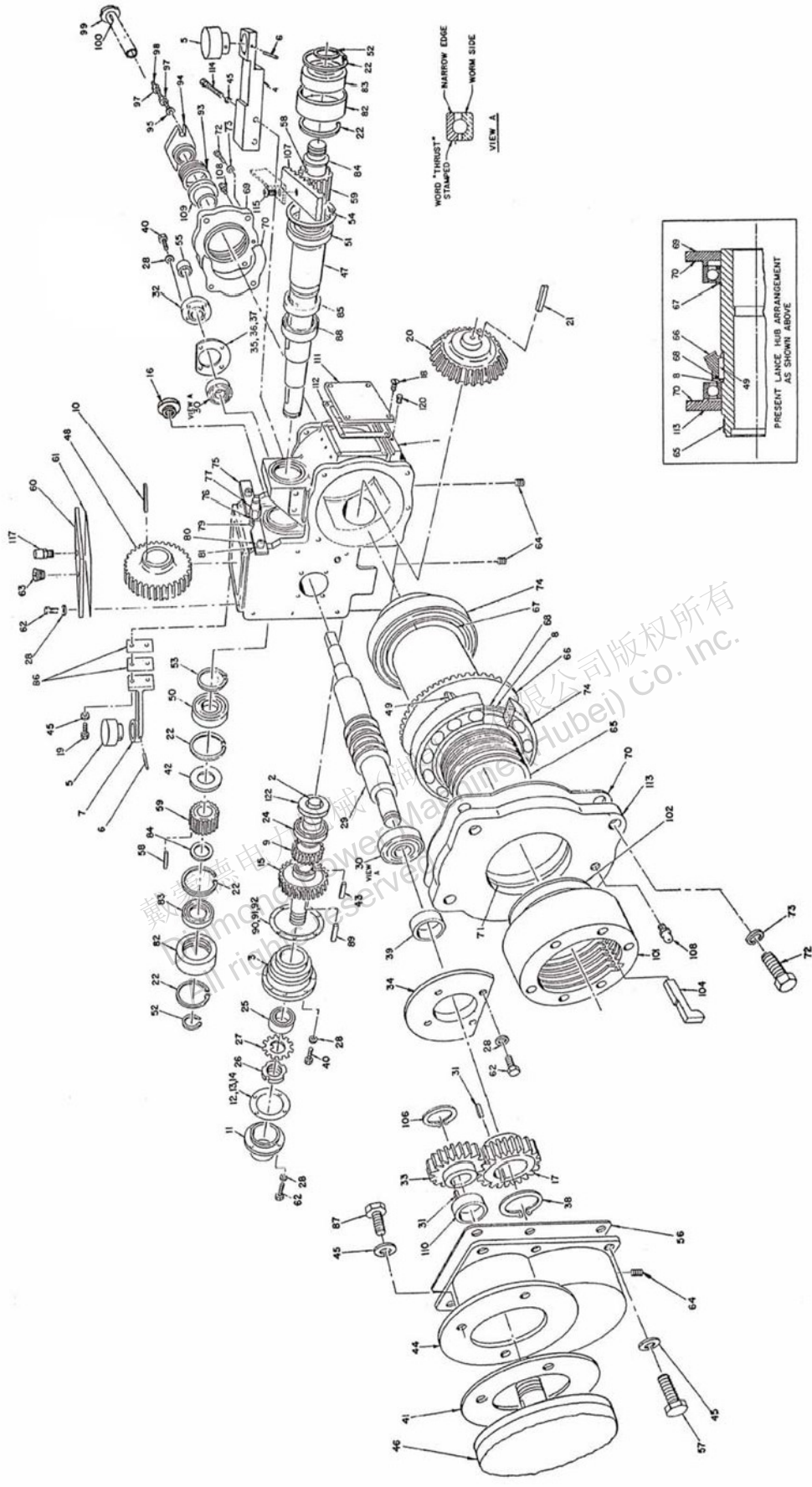
IK-525/545 提升阀总成 IK-525/545 Poppet Valve Assembly			PI 4134	
序号 ITEM	零件号 PART NO.	名称 DESCRIPTION	数量 QTY	备注 REMARK
1	309183-0129	启动臂 TRIGGER	1	
2	301142-0118	阀杆卡 VALVE YOKE	1	
3	301808-0113	弹簧压盖 SPRING RETAINER	1	
4	302051-0115	阀门弹簧 SPRING	1	
5	302027-0116	填料压圈 PACKING WASHER	1	
6	347691-010A	阀杆填料 $\Phi 22.2 \times 12.7-26$ VALVE STEM PACKING	1	
7	302032-0119	填料螺母 VALVE STEM PACKING NUT	1	
8	342928-1136	填料室 VALVE STEM GUIDE	1	
9	301167-2114	垫圈 VALVE STEM GUIDE WASHER	1	
10	302028-0115	调压盘 CONTROL DISC	1	
11	344086-1122	阀杆 VALVE STEM	1	
12	309786-1128	柔性阀座 600 FLEXIBLE VALVE SEAT 600	1	FOR 600 SERIE
	310666-1121	柔性阀座 900 FLEXIBLE VALVE SEAT 900		FOR 900 SERIE
13	344954-1121	限位螺母 VALVE STEM RETAINER NUT	1	
14	301551-0112	止动垫圈 RETAINING WASHER	1	
15	350328-010F	螺塞 HEX HEAD PLUG	1	
16	350328-010C	螺塞 OUTSIDE HEX BUSHING 6000*	1	
17	309785-1129	柔性阀瓣 600 VALVE DISC 600	1	FOR 600 SERIE
	310665-1122	柔性阀瓣 900 VALVE DISC 900		FOR 900 SERIE
18	301235-0116	销轴 VALVE YOKE PIN	1	
19	301158-0119	销轴 TRIGGER PIN	1	
20	G00091-0004	开口销 $\Phi 3 \times 30$ $\Phi 3 \times 30$ COTTER PIN	1	
21	405019-0117	垫片 $\Phi 38/31-2.4$ $\Phi 38/31-2.4$ GASKET(COPPER)	3	
22	350328-010A	定位螺塞 LOCKPIN PLUG	2	
23	350328-010F	螺塞 ADAPTER PLUG	1	
24	G00091-0002	开口销 $\Phi 2.5 \times 16$ $\Phi 2.5 \times 16$ COTTER PIN	1	
25	350328-010D	螺塞 NPT ADAPTER	1	
26	PER ORDER	阀体 VALVE BODY	1	



IK-525/545 阀门启闭机构 IK-525/545 Blowing Medium Turn-on Assembly - PI 3496

IK-525/545 吹灰器零件对照表 IK-525/545 Parts Identification

IK-525/545 阀门启闭机构 IK-525/545 Blowing Medium Turn-on Assembly			PI 3496	
序号 ITEM	零件号 PART NO.	名称 DESCRIPTION	数量 QTY	备注 REMARK
1	327178-1027	销轴板组件 PIVOT BLOCK ASSY	1	
2	G01153-0001	油嘴 45°×M10×1 45°×M10×1 LUBRICATING FITTING	1	
3	PER ORDER	拉杆 POPPET ARM	1	
4	350140-001A	摆动块组件(左) CAM ASSY (LEFT HAND)	1	
	350138-000A	摆动块组件(右) CAM ASSY (RIGHT HAND)		
5	305670-1117	方块 BLOCK	1	
6	G00097-0005	垫圈 20 20 WASHER	2	
7	309428-0116	台肩螺栓 SHOULDER BOLT	1	
8	327882-1123	垫圈 SPACER WASHER	2	
9	G00091-0005	开口销 3×40 3×40 COTTER PIN	1	
10	405014-0112	垫圈 Φ38/19.5-1.5 Φ38/19.5-1.5 WASHER	2	
11	G00091-0005	开口销 3×40 3×40 COTTER PIN	1	
12	G01153-0001	油嘴 45°×M10×1 45°×M10×1 LUBRICATING FITTING	1	
13	405370-0110	含油轴承 BEARING	1	
14	G01153-0001	油嘴 45°×M10×1 45°×M10×1 LUBRICATING FITTING	1	
15	G00093-0009	弹垫 20 20 LOCK WASHER	1	
16	G06170-0010	螺母 M20 M20 NUT	1	
17	G06171-0001	螺母 M16×1.5 M16×1.5 NUT	1	
18	350654-0032	阀门组件 POPPET VALVE ASSY	1	PER ORDER
19	317030-1125	阀门安装板 POPPET VALVE BRACKET	1	
20	310943-3123	螺栓(全牙) STUD	4	
21	G06175-0001	六角螺母 M20 M20 NUT	4	
22	304634-0117	垫片 GASKET	1	
23	G05783-0021	螺栓 M10×40 M10×40 SCREW	2	
24	G00093-0005	弹垫 10 10 LOCK WASHER	2	
25	304535-0117	内管法兰 CLAMPING FLANGE	1	
27	308565-0111	法兰螺母 FLANGE NUT	1	
28	G00093-0006	弹垫 12 12 LOCK WASHER	6	
29	G05782-0004	螺栓 M12×60 M12×60 SCREW	4	
30	G06170-0006	螺母 M12 M12 NUT	4	
31	G00879-0013	弹性圆柱销 6×40 6×40 GR00VE PIN	2	
32	G05782-0003	螺栓 M12×45 M12×45 SCREW	2	



IK-525/545 跑车总成 IK-525/545 Carriage Assembly - PI 3575

IK-525/545 吹灰器零件对照表 IK-525/545 Parts Identification

IK-525/545 跑车总成 IK-525/545 Carriage Assembly			PI 3575	
序号 ITEM	零件号 PART NO.	名称 DESCRIPTION	数量 QTY	备注 REMARK
1	332784-1148	箱壳 HOUSING	1	
2	323439-1120	枪管驱动轴 LANCE DRIVE SHAFT	1	
3	323421-1138	轴承盒 BEARING CARRIER	1	
4	324156-1129	支撑臂 BRACKET - CARRIAGE GUIDE ROLLER	1	
5	405023-000A	导向轮 ROLLER - CARRIAGE GUIDE	2	
6	G00879-0004	弹性销 4×32 4×32 ROLLER PIN	2	
7	324126-1126	支撑臂 BRACKET	1	
8	343444-1121	垫圈 LANCE HUB SPACER	1	
9	323435-1124	正齿轮 PRIMARY HELIX SPUR GEAR 20T	1	
10	G01096-0010	平键 10×50 10×50 KEY, SECONDARY HELIX GEAR	1	
11	323452-1122	轴承盖 BEARING RETAINER(LANCE DRIVE SHAFT)	1	
12	323461-1121	调整垫片 0.10 0.10 SHIM (BLUE)	A/R	
13	323461-2129	调整垫片 0.20 0.20 SHIM (TRANSPARENT)	A/R	
14	323461-3127	调整垫片 0.50 0.50 SHIM (YELLOW)	A/R	
15	405158-010A	蜗轮 40:1 WORM GEAR 40:1	1	
16	J00283-0001	油位计视孔 20 20 LIQUID LEVEL GAUGE	1	
17	333224-1128	蜗杆齿轮 39T CARRIAGE SPUR GEAR 39T GIVE 1.75M/MIN SPEED	1	V=1.75M/MIN
	333222-1120	蜗杆齿轮 51T CARRIAGE SPUR GEAR 51T GIVE 0.9M/MIN SPEED		V=0.9M/MIN
	323428-1123	蜗杆齿轮 32T CARRIAGE SPUR GEAR 32T GIVE 2.5M/MIN SPEED		V=2.5M/MIN
	323426-1125	蜗杆齿轮 26T CARRIAGE SPUR GEAR 26T GIVE 3.5M/MIN SPEED		V=3.5M/MIN
18	G00819-0003	螺钉 8×16 8×16 SCREW	4	
19	G05783-0018	螺栓 10×25 10×25 HEX HEAD CAP SCREW	2	
20	323434-1125	伞齿轮 PINION BEVEL GEAR	1	
21	G01096-0008	键 8×32 8×32 KEY, BEVEL PINION	1	
22	G00893-0004	孔用挡圈 62 62 RETAINING RING, PINION ROLLER BEARING	5	
24	G00276-0003	轴承 206 BALL BEARING - PRIMARY HELIX GEAR SHAFT	1	
25	G00276-0004	轴承 305 BALL BEARING - PRIMARY HELIX GEAR SHAFT	1	
26	G00810-0001	锁紧螺母 M24×1.5 M24×1.5 BEARING LOCK NUT	1	
27	G00858-0001	止动垫圈 M24 M24 BEARING LOCK WASHER	1	
28	G00093-0004	弹垫 8 8 LOCK WASHER	24	
29	332429-1131	蜗杆 WORM SHAFT	1	
30	G00292-0001	轴承 66204 BALL BEARING - WORM SHAFT	2	
31	G01096-0006	键 6×25/8×28 6×25/8×28 KEY, CARRIAGE & MOTOR SPUR GEARS	2	
32	405247-010A	连接法兰 BEARING RETAINER (WORM SHAFT)	1	
33	333223-1129	电机齿轮 35T MOTOR SPUR GEAR 35T GIVE 1.75M/MIN SPEED	1	V=1.75M/MIN
	333221-1121	电机齿轮 23T MOTOR SPUR GEAR 23T GIVE 0.9M/MIN SPEED		V=0.9M/MIN

IK-525/545 吹灰器零件对照表 IK-525/545 Parts Identification

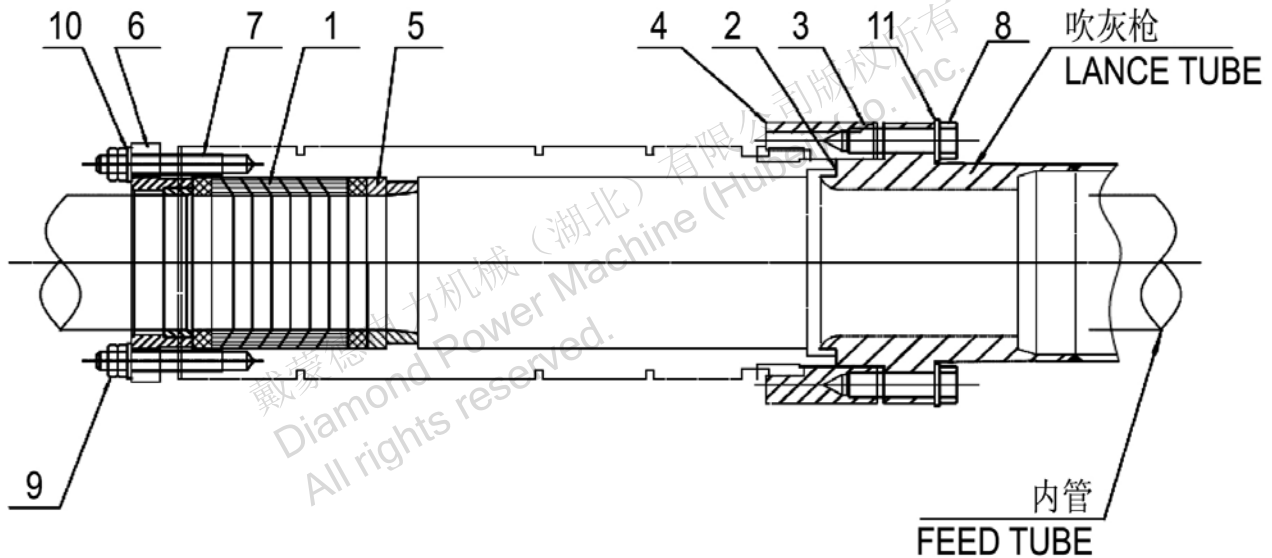
IK-525/545 跑车总成 IK-525/545 Carriage Assembly			PI 3575	
序号 ITEM	零件号 PART NO.	名称 DESCRIPTION	数量 QTY	备注 REMARK
33	393222-1124	电机齿轮 42T		V=2.5M/MIN
	393223-1123	电机齿轮 48T		V=3.5M/MIN
34	323456-1128	定位盘	1	
35	323451-1123	调整垫片 0.10	A/R	
36	323451-2121	调整垫片 0.20	A/R	
37	323451-3129	调整垫片 0.50	A/R	
38	G00894-0003	轴用挡圈 20	1	
39	332198-1122	定距圈	1	
40	G00070-0008	内六角螺钉 M8×20	10	
41	405313-010A	电机垫	1	
42	H04692-0005	油封 PD 35×62×12	1	
43	G01096-0009	平键 8×45	1	
44	405142-010A	电机齿轮箱体	1	
45	G00093-0005	弹垫 10	13	
46	PER ORDER	电机	1	
47	324122-1138	主轴	1	
48	324125-1127	正齿轮 59T	1	
49	405288-010A	平键	1	
50	G00279-0002	轴承 180107	1	
51	G00279-0004	轴承 180108	1	
52	G00894-0005	轴用挡圈 25	2	
53	G00894-0006	轴用挡圈 38	1	
54	G00893-0005	孔用挡圈 80	1	
55	H04692-0004	油封 PG 20×35×10	1	
56	323446-1121	衬垫	1	
57	G05783-0018	螺栓 M10×25	6	
58	G01096-0007	平键 6×40	2	
59	324188-1121	行走齿轮	2	
60	347312-000A	盖板	1	
61	323447-2128	衬垫	1	
62	G00070-0003	螺栓 M8×16	10	
63	405115-000A	透气塞	1	
64	405021-010A	螺塞 1/2"NPT	3	
65	323419-1132	填料室 (Φ60内管)	1	
	323416-1135	填料室 (Φ70内管)		
66	323423-1136	伞齿轮	1	
67	907920-0061	挡圈	1	
68	907920-0052	挡圈	1	
69	323418-1133	压盖	1	

IK-525/545 吹灰器零件对照表 IK-525/545 Parts Identification

IK-525/545 跑车总成 IK-525/545 Carriage Assembly			PI 3575	
序号 ITEM	零件号 PART NO.	名称 DESCRIPTION	数量 QTY	备注 REMARK
70	323449-1128	衬垫	BEARING RETAINER GASKET	1
71	R03001-0001	填料	PACKING	2
72	G05783-0031	螺栓 M16×40	M16×40 HEX HEAD CAP SCREW	8
73	G00093-0008	弹垫 M16	M16 SPLIT LOCK WASHER	8
74	G00279-0001	轴承 6024-2/C9	BALL BEARING - LANCE HUB	2
75	405439-0025	撞销板	TRIP BAR	1
76	305390-0118	锁紧垫圈	LOCK WASHER	1
77	405004-010A	撞销	TRIP STUD	1
79	G05783-0024	螺母 M14	M14 NUT	1
80	G05783-0024	螺栓 M12×30	M12×30 SOCKET HEAD CAP SCREW	2
81	G00093-0006	弹垫 M12	M12 SPLIT LOCK WASHER	2
82	324129-1123	滚轮	ROLLER	2
83	G00278-0005	轴承 80305	BALL BEARING - PINION ROLLER	2
84	324128-1124	垫圈	ROLLER SPACER	2
85	H04692-0006	油封 PD 45×70×12	OIL SEAL - PINION SHAFT	1
86	324130-1120	垫片	SHIM - ROLLER BRACKET	2
87	G05783-0020	螺栓 M10×35	M10×35 HEX HEAD CAP SCREW	3
88	G00279-0003	轴承 180108	BALL BEARING - PINION SHAFT (INBOARD)	1
89	G01096-0008	平键 8×32	8×32 KEY, WORM	1
90	324264-1128	调整垫片 0.10	0.10 SHIM (BLUE)	A/R
91	324264-2126	调整垫片 0.20	0.20 SHIM (TRANSPARENT)	A/R
92	324264-3124	调整垫片 0.50	0.50 SHIM (YELLOW)	A/R
93	346160-1134	内管填料(Φ60内管)	PACKING (Φ60 FEED TUBE)	1
	346161-1133	内管填料(Φ70内管)	PACKING (Φ70 FEED TUBE)	
94	316896-1021	填料压盖(Φ60内管)	PACKING GLAND ASSY (Φ60 FEED TUBE)	1
	323469-1024	填料压盖(Φ70内管)	PACKING GLAND ASSY (Φ70 FEED TUBE)	
95	G00097-0004	垫圈 M12 (Φ60内管)	M12 PLAIN WASHER (Φ60 FEED TUBE)	2
	G00097-0003	垫圈 M10 (Φ70内管)	M10 PLAIN WASHER (Φ70 FEED TUBE)	
97	G06170-0006	螺母 M12 (Φ60内管)	M12 NUT (Φ60 FEED TUBE)	4
	G06170-0005	螺母 M10 (Φ70内管)	M10 NUT (Φ70 FEED TUBE)	
98	300952-8120	螺柱 M12×75	M12×75 STUD (Φ60 FEED TUBE)	2
	317231-3102	螺柱 M10×70	M10×70 STUD (Φ70 FEED TUBE)	
99	308565-0111	法兰螺母(Φ60内管)	FLANGE (Φ60 FEED TUBE)	1
	336756-1127	法兰螺母(Φ70内管)	FLANGE (Φ70 FEED TUBE)	
100	G01096-0003	平键 5×20	5×20 KEY - FEED TUBE FLANGE	1
101	305654-0127	填料室法兰 (Φ89mm 外管)	HUB FLANGE(Φ89MM LANCE)	1
	316811-1122	填料室法兰 (Φ102mm 外管)	HUB FLANGE (Φ102MM LANCE)	
102	305656-0117	垫片	GASKET	1

IK-525/545 吹灰器零件对照表 IK-525/545 Parts Identification

IK-525/545 跑车总成 IK-525/545 Carriage Assembly			PI 3575	
序号 ITEM	零件号 PART NO.	名称 DESCRIPTION	数量 QTY	备注 REMARK
104	304160-0119	键	1	FOR Φ 60 FEED TUBE
	316817-1118	键		FOR Φ 70 FEED TUBE
106	G00894-0004	轴用挡圈 24	1	
107	405012-0122	齿条	1	
108	G01153-0001	黄油嘴 M10×1	1	
109	316893-1123	填料压套(Φ 60内管)	1	
	323467-1125	填料压套(Φ 70内管)		
110	393221-1125	定距圈	1	
111	339257-2123	盖板	1	
112	339258-1124	衬垫	1	
113	323418-1133	压盖	1	
114	G05783-0022	螺栓 M10×45	2	
115	405087-010A	螺钉 M12×20	A/R	
117	405021-010B	螺塞 3/4" NPT	1	
120	405022-010A	1/4" NPT 螺塞	1	
122	908502-0033	油封	1	

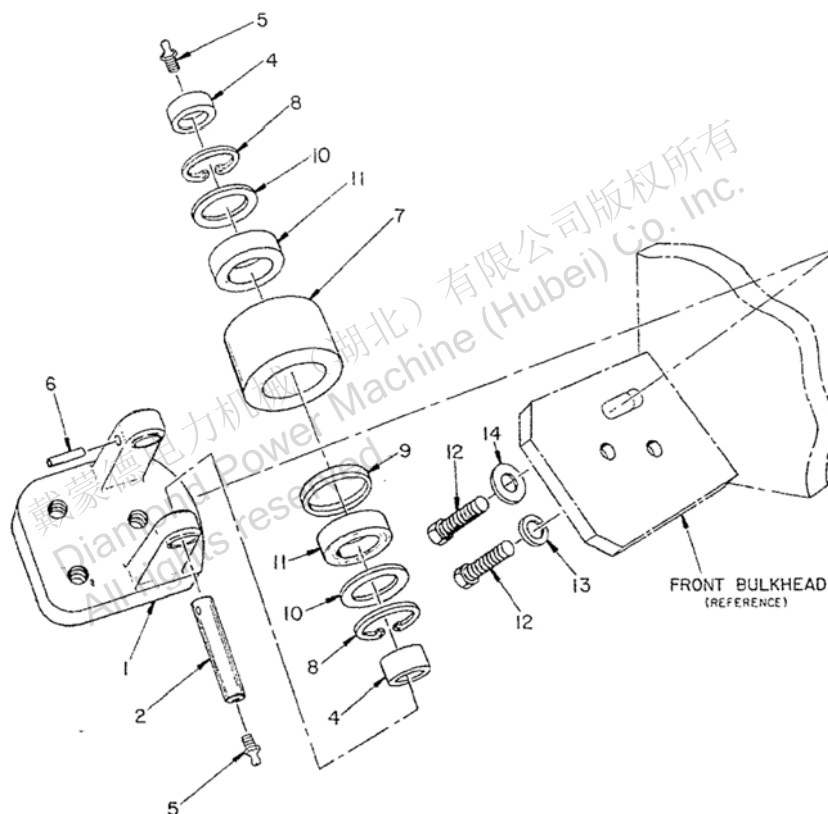
IK-525/545 吹灰枪管联接及填料
IK-525/545 Lance Joint and Packing Assembly
351112-0044


序号 ITEM	零件号 PART NO.	名称 DESCRIPTION	数量 QTY	备注 REMARK
1	346160-1134	石墨填料	1	FOR $\Phi 60$ FEED TUBE
	346161-1133	石墨填料		FOR $\Phi 70$ FEED TUBE
2	305656-0117	外管垫片	1	
3	304160-0119	键	1	FOR $\Phi 60$ FEED TUBE
	316817-1118	键		FOR $\Phi 70$ FEED TUBE
4	305654-0127	填料室法兰	1	FOR $\Phi 89$ LANCE TUBE
	316811-1122	填料室法兰		FOR $\Phi 102$ LANCE TUBE
5	316893-1023	衬套	1	FOR $\Phi 60$ FEED TUBE
	323467-1125	衬套		FOR $\Phi 70$ FEED TUBE
6	316896-1021	填料压盖	1	FOR $\Phi 60$ FEED TUBE
	323469-1024	填料压盖		FOR $\Phi 70$ FEED TUBE
7	300952-8120	螺柱 M12 \times 75	2	FOR $\Phi 60$ FEED TUBE
	317231-3102	螺柱 M10 \times 70		FOR $\Phi 70$ FEED TUBE
8	333771-1125	螺柱 M14 \times 45	6	
9	G06170-0006	薄螺母 M12	4	FOR $\Phi 60$ FEED TUBE
	G06170-0005	薄螺母 M10		FOR $\Phi 70$ FEED TUBE
10	G00097-0004	平垫 12	2	FOR $\Phi 60$ FEED TUBE
	G00097-0003	平垫 10		FOR $\Phi 70$ FEED TUBE
11	GB93-87	弹垫 14	6	

IK-525/545 吹灰器零件对照表 IK-525/545 Parts Identification

IK 前支撑滚轮部件 IK Front Support Roller Assembly

351021-0010

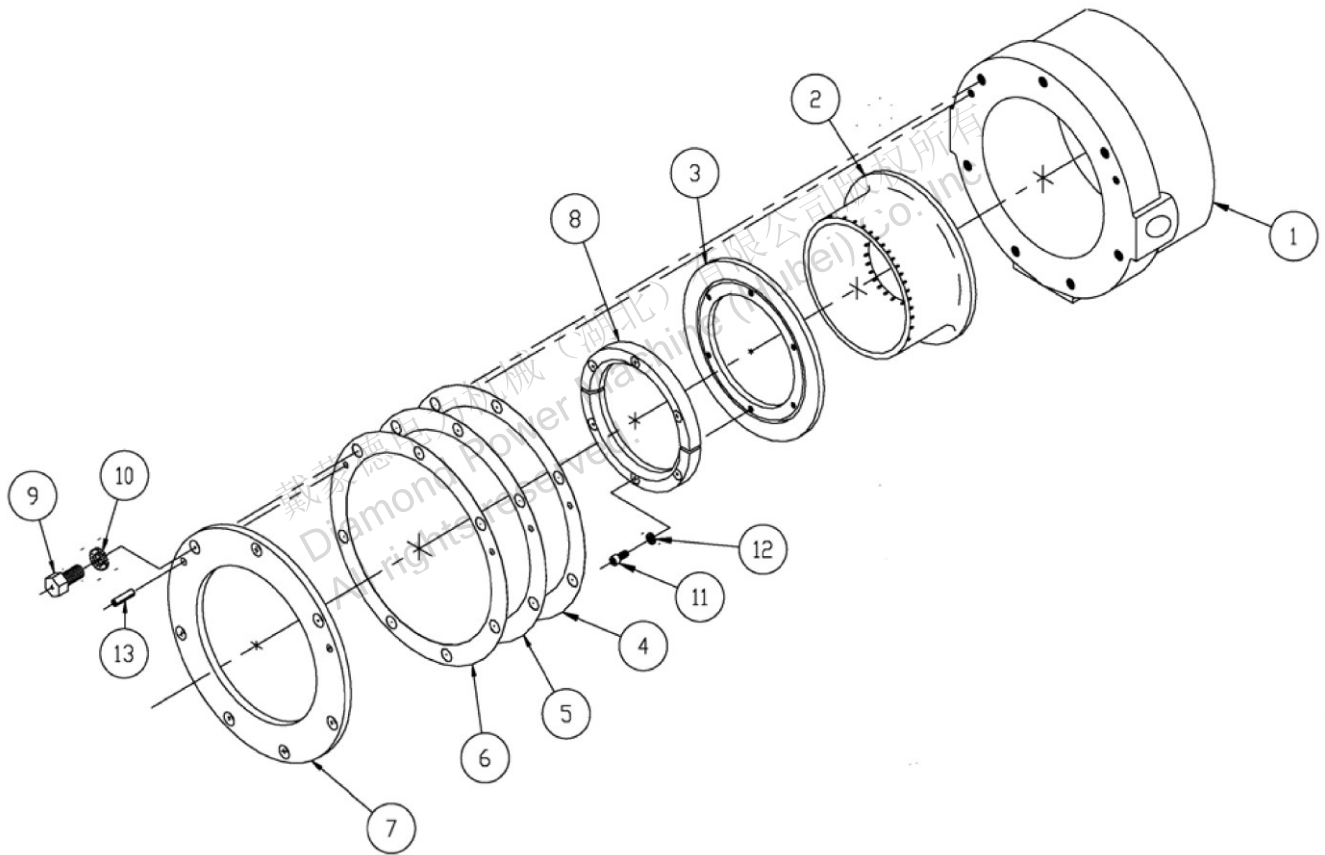


序号 ITEM	零件号 PART NO.	名称 DESCRIPTION	数量 QTY	备注 REMARK
1	324205-1138	滚轮座 ROLLER BRACKET	1	
2	345794-1130	轴 ROLLER SHAFT	1	
3	323403-6022	滚轮组件 (Φ89枪管) ROLLER ASSY (Φ89 LANCE TUBE)	1	
	323403-8028	滚轮组件 (Φ102枪管) ROLLER ASSY (Φ102 LANCE TUBE)		
4	324210-2121	定距圈 ROLLER SPACER	2	
5	G01152-0002	黄油嘴 M10×1 LUBRICATION FITTING	2	
6	G00879-0007	弹性销 5×45 5×45 GROOVE PIN	1	
7	323404-2129	滚轮 (Φ89枪管) ROLLER (Φ89 LANCE TUBE)	1	
	323404-4125	滚轮 (Φ102枪管) ROLLER (Φ102 LANCE TUBE)		
8	G00893-0003	孔用挡圈 52 52 RETAINING RING	1	
9	323405-2128	垫圈 SPACER	1	
10	316910-2112	轴承密封圈 BEARING SEAL	2	
11	G00278-0001	轴承 60205 BALL BEARING	2	
12	G05783-0033	螺栓 M20×45 M20×45 HEX HEAD CAP SCREW	2	
13	G00093-0009	弹垫 20 20 SPLIT LOCK WASHER	2	
14	G00096-0002	平垫 20 20 WASHER	2	

IK-525/545 吹灰器零件对照表 IK-525/545 Parts Identification

IK 正压墙箱部件 IK Positive Pressure Wallbox Assembly

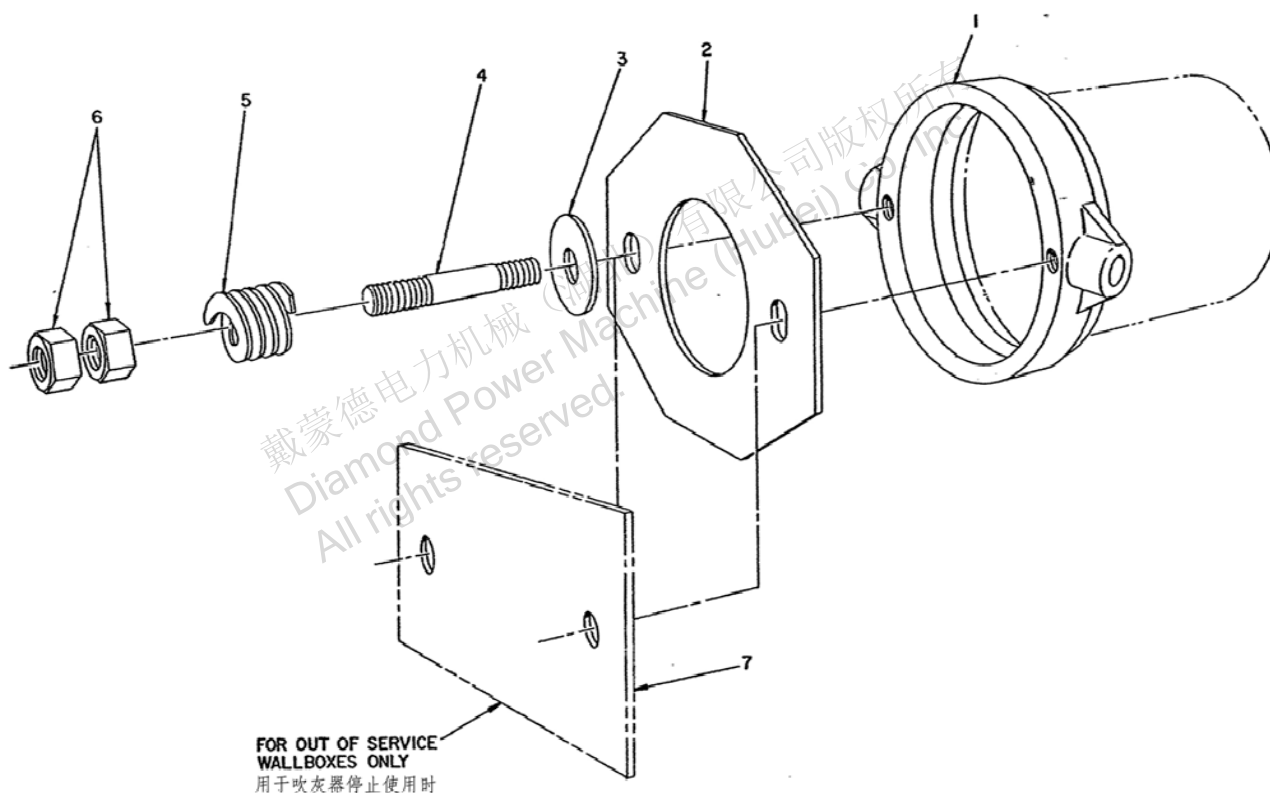
PI 3884



序号 ITEM	零件号 PART NO.	名称 DESCRIPTION	数量 QTY	备注 REMARK
1	326701-3138	正压墙箱 WALLBOX HOUSING	1	
2	348084-010E	风幕环 (Φ89枪管) ASPIRATING RING (Φ89 LANCE TUBE)	1	
	348084-010A	风幕环 (Φ102枪管) ASPIRATING RING (Φ102 LANCE TUBE)		
3	350973-000B	密封板 (Φ89枪管) SEAL PLATE (Φ89 LANCE TUBE)	1	
	350973-000D	密封板 (Φ102枪管) SEAL PLATE (Φ102 LANCE TUBE)		
4	323624-1125	调整垫片 0.20mm SHIM 0.20	A/R	
5	323624-2123	调整垫片 0.25mm SHIM 0.25	A/R	
6	323624-3121	调整垫片 0.30mm SHIM 0.30	A/R	
7	323636-1121	盖板 COVER	1	
8	350972-010B	密封环 (Φ89枪管) SEAL RING (Φ89 LANCE TUBE)	1	
	350972-010D	密封环 (Φ102枪管) SEAL RING (Φ102 LANCE TUBE)		
9	G05783-0023	螺栓 M12×25 M12×25 HEX. HD. CAP SCREW	7	
10	G00093-0006	弹垫 12 12 SPLIT LOCK WASHER	7	
11	G05783-0003	螺栓 M6×12 M6×12 HEX HEAD CAP SCREW	6	
12	G00093-0003	弹垫 6 6 SPLIT LOCK WASHER	6	
13	G00879-0010	弹性销 M6×25 M6×25 ROLL PIN	2	

IK 负压墙箱部件 IK Negative Pressure Wallbox Assembly

PI 3562



序号 ITEM	零件号 PART NO.	名称 DESCRIPTION	数量 QTY	备注 REMARK
1	405234-010A	负压墙箱 WALLBOX HOUSING	1	
2	333219-2123	密封板 (Φ89 枪管) SEAL PLATE (Φ89 LANCE TUBE)	1	
	346858-000A	密封板组件 (Φ89 枪管) SPLIT SEAL PLATE ASSY (Φ89 LANCE TUBE)	1	拼缝/PIECED WELD
	333219-5126	密封板 (Φ102 枪管) SEAL PLATE (Φ102 LANCE TUBE)		
	346858-000C	密封板组件 (Φ102 枪管) SPLIT SEAL PLATE ASSY (Φ102 LANCE TUBE)		拼缝/PIECED WELD
3	405070-010A	垫圈 WASHER	2	
4	G00899-0004	螺柱 M12×45 M12×45 STUD	2	
5	300901-0111	弹簧 SPRING	2	
6	G06170-0006	螺母 M12 M12 NUT	4	

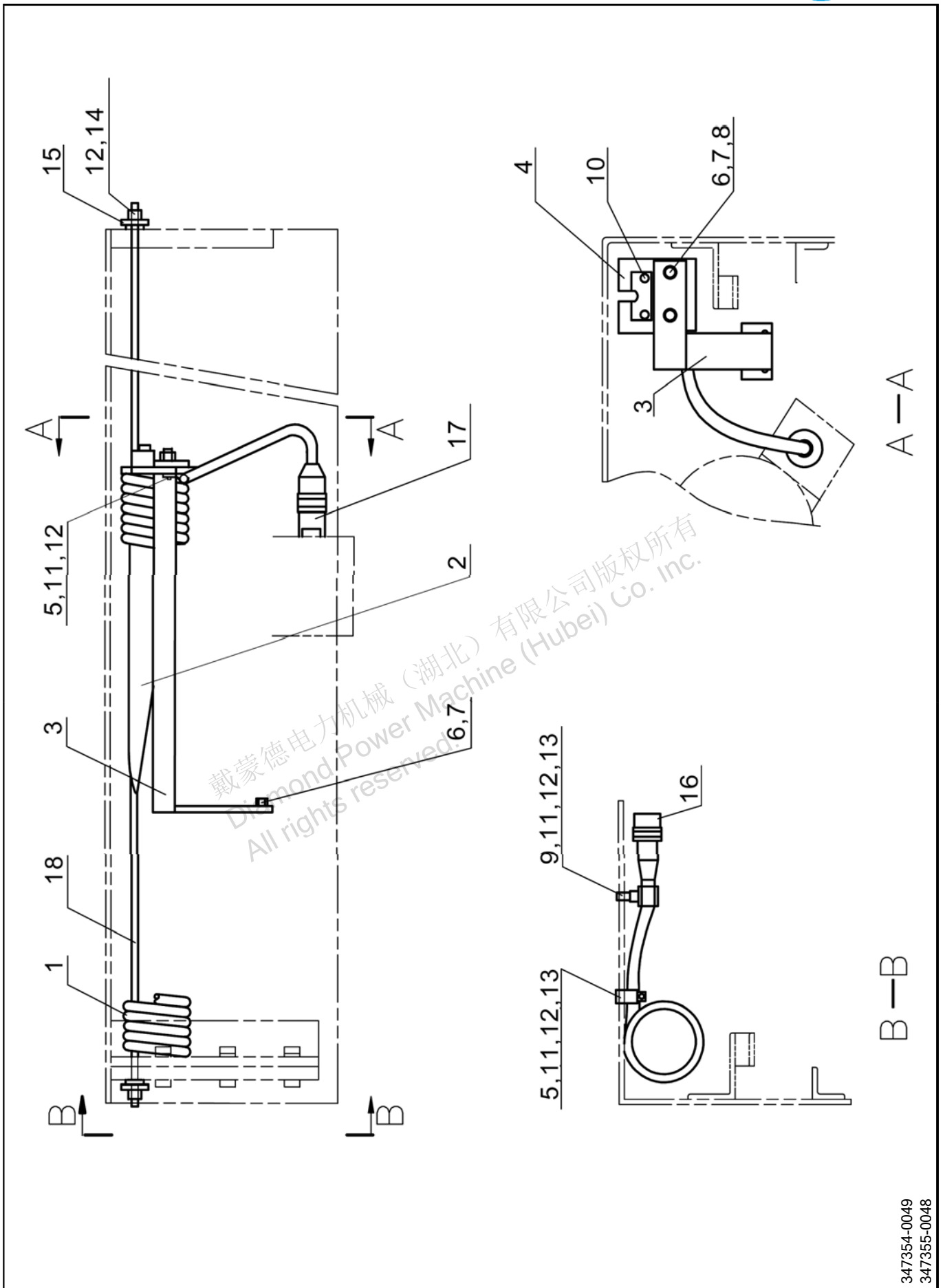
IK-525/545 吹灰器零件对照表 IK-525/545 Parts Identification

IK 提升阀、空气阀和管件 IK Poppet Valve, Air Relief Valve And Piping

PI 8001



序号 ITEM	零件号 PART NO.	名称 DESCRIPTION	数量 QTY	备注 REMARK
1	350654-0032	提升阀 600 POPPET VALVE 600	1	
2	R06001-0002	螺纹接管 Z3/4"×80 NIPPLE TUBE Z3/4"×80	1	
3	R04003-0001	三通管接头 Z3/4" SCREWED TEE Z3/4"	1	
4	R07001-0001	钢制螺塞 Z3/4" SCREWED PLUG Z3/4"	1	
5	R06001-0002	螺纹接管 Z3/4"×100 NIPPLE TUBE Z3/4"×100	1	
6	343503-1038	空气阀 AIR RELIEF VALVE ASSY	1	
7	R14001-0010	弯通终端接头 Z3/4"90° STREET ELBOW Z3/4" 90°	1	ONLY FOR POSITIVE PRESSURE
8	PER ORDER	镀锌管 Φ22×3 L=120 STEEL TUBE Φ22×3 L=120	1	
9	R04001-0006	弯通中间接头 Z3/4"90° STREET ELBOW Z3/4" 90°	1	

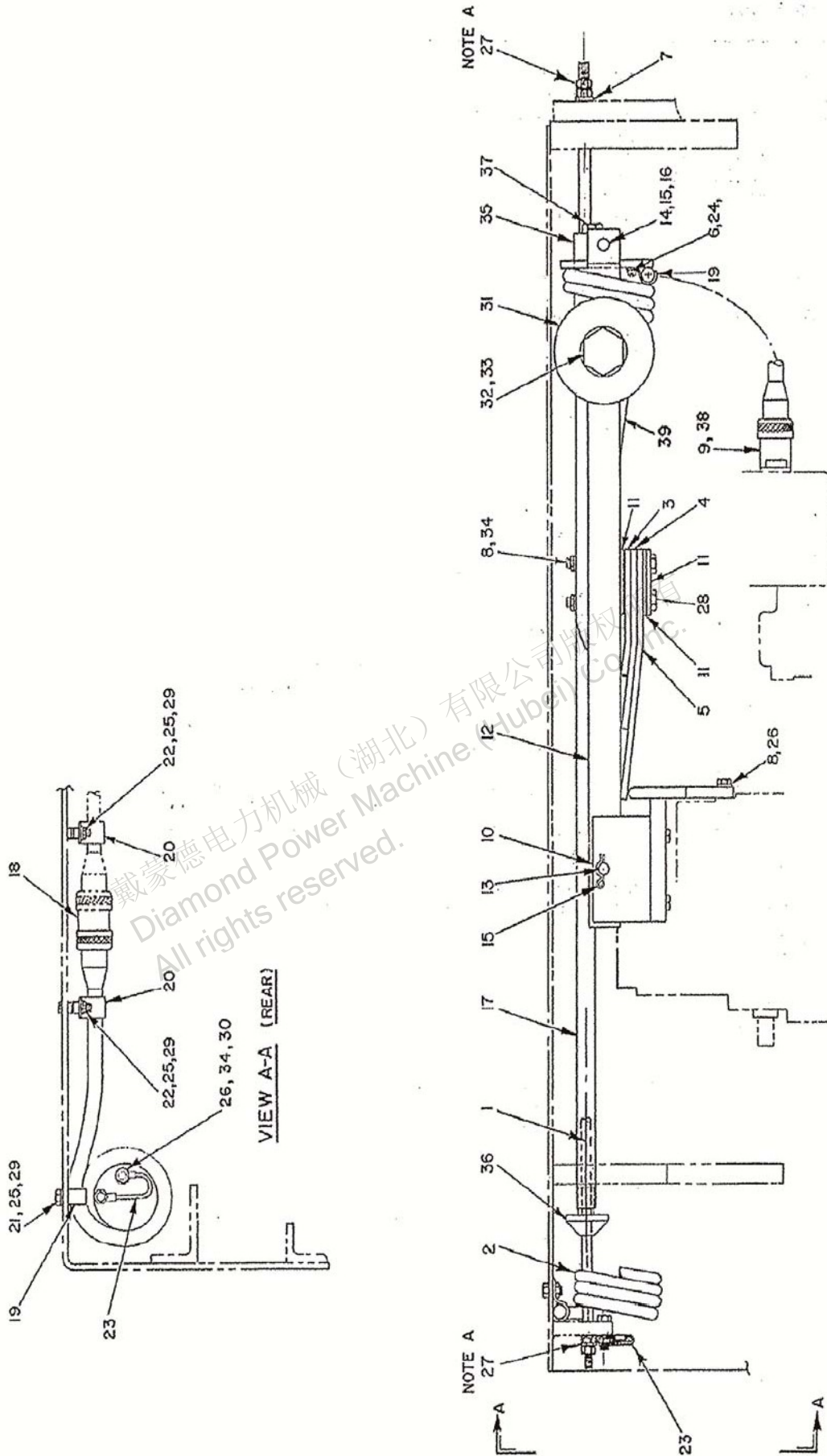


347354-0049
347355-0048

IK-525 弹性电缆组件 IK-525 Expandable Cable Assembly - PI 3572

IK-525/545 吹灰器零件对照表 IK-525/545 Parts Identification

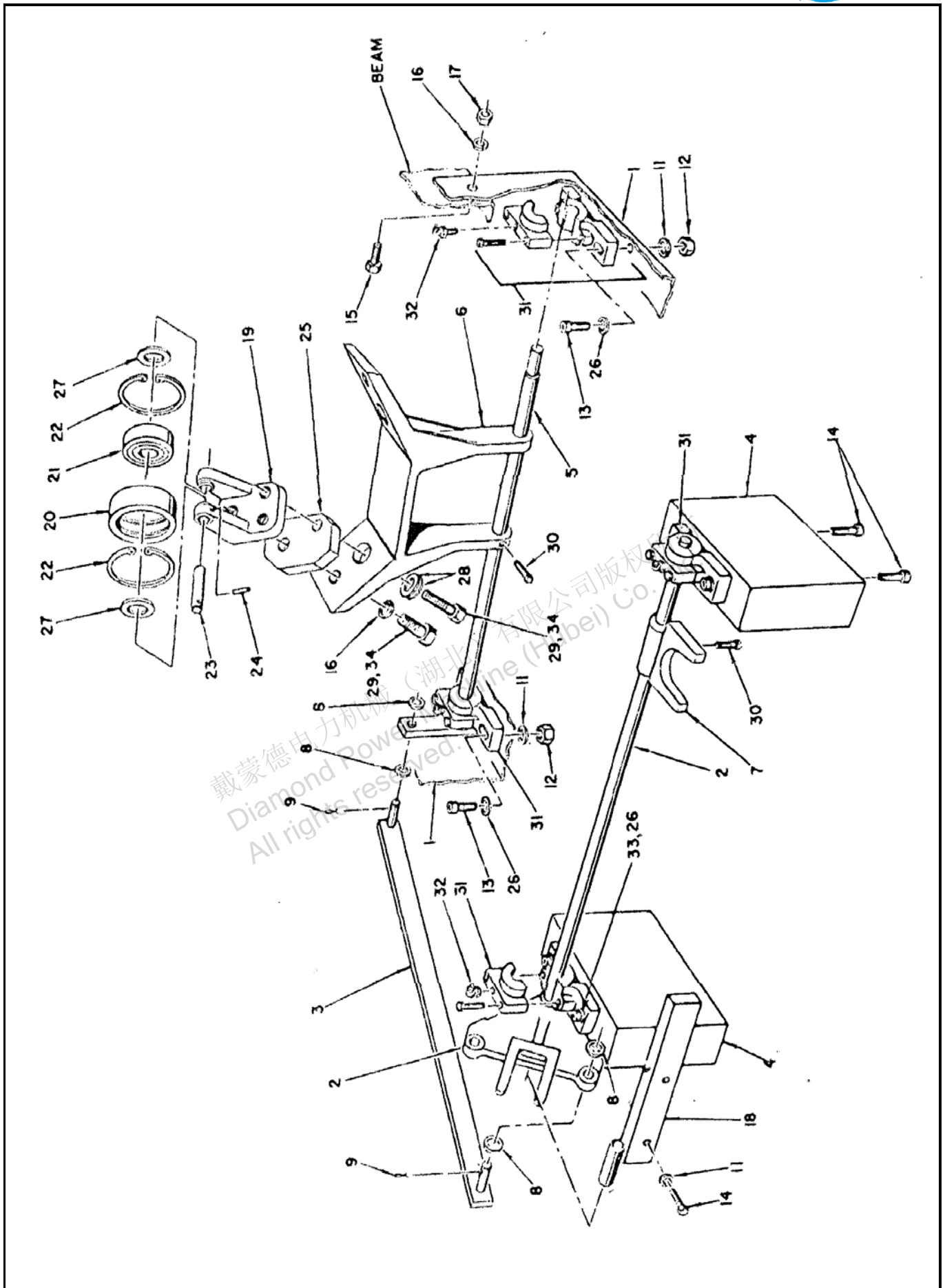
IK-525 弹性电缆组件 IK-545 Expanda Cable Assembly			PI 3572	
序号 ITEM	零件号 PART NO.	名称 DESCRIPTION	数量 QTY	备注 REMARK
1	332825-1024	弹性电缆 CABLE ASSY	1	PER ORDER
2	339308-1140	锥形棒 TAPERED ROD	1	
3	346869-1047	拖杆部件 TOW BAR ASSY	1	
4	339312-1129	滑动块 SLIDER BLOCK	1	
5	405053-010A	压线卡 CABLE CLAMP	2	
6	G05783-0018	螺栓 M10×25(全螺纹) M10×25 HEX HEAD CAP SCREW	4	
7	G00093-0005	弹垫 10 10 LOCK WASHER	4	
8	G00097-0003	平垫 10 10 WASHER	2	
9	405563-0113	电缆夹 PIPE CLAMP	2	
10	G05783-0020	螺栓 M10×35(全螺纹) M10×35 HEX HEAD CAP SCREW	2	
11	G05783-0006	螺栓 M6×25(全螺纹) M6×25 HEX HEAD CAP SCREW	6	
12	G00093-0003	弹垫 6 6 SPLIT LOCK WASHER	8	
13	G06170-0003	螺母 M6 M6 HEX NUT	6	
14	G06170-0003	螺母 M6 M6 HEX NUT	4	
15	339314-1126	板 BLOCK	1	
16	E12501-0001	穿线盒 THREADING BOX	1	PER ORDER
17	ZQJ-21B/M20X1.5	软管接头 WIRE TERMINAL END	1	
18	405588-0126	弹性电缆挂杆 FOR SUSPENSION ROD LENGTHS	1	



IK-545 弹性电缆组件 IK-545 Expanda Cable Assembly - PI 3675

IK-525/545 吹灰器零件对照表 IK-525/545 Parts Identification

IK-545 弹性电缆组件 IK-545 Expanda Cable Assembly			PI 3675	
序号 ITEM	零件号 PART NO.	名称 DESCRIPTION	数量 QTY	备注 REMARK
1	405589-0125	中间杆 Φ10 FOR SUSPENSION ROD LENGTHS	1	
2	332825-1024	弹性电缆 CABLE ASSY	1	
3	341621-1120	板簧 LEAF SPRING	1	
4	341621-2128	板簧 LEAF SPRING	1	
5	341621-3126	板簧 LEAF SPRING	1	
6	G00067-0007	螺栓 M6×10 M6×10 ROUND HEAD MACHINE SCREW	1	
7	341625-1126	定距圈 SPACER TUBE	1	
8	G00093-0005	垫圈 10 10 SPLIT LOCK WASHER	4	
9	E12400-0002	四芯阳性插座 4 CONDUCTOR MALE RECEPTACLE	1	
10	341645-1031	支座 TOW BAR SUPPORT BRACKET ASSY	1	
11	341620-1121	板簧压板 SPRING BLOCK	3	
12	341614-1129	拖杆 TOW BAR	1	
13	341611-1122	销 PIVOT PIN	1	
14	341612-1121	销 TOW PIN	1	
15	G00091-0010	开口销 Φ2.5×30 Φ2.5×30 COTTER PIN(PLATED)	3	
16	G00071-0002	定位螺钉 M6×12 M6×12 SET SCREW	1	
17	341616-1036	电缆控制组件 LOOP CONTROL ASSY	1	
18	842376-0093	接插头环 ADAPTOR RING	1	
19	405053-0114	线卡 CABLE CLAMP	2	
20	405086-0115	管夹 PIPE CLAMP	2	
21	G00071-0002	螺栓 M6×12 M6×12 HEX HEAD CAP SCREW	1	
22	G05783-0006	螺栓 M6×25 M6×25 HEX HEAD CAP SCREW	2	
23	343015-2029	地线 GROUNDING STRAP ASSY	1	PER ORDER
24	G00093-0003	弹垫 6 6 SPLIT LOCK WASHER	1	
25	G06170-0003	螺母 M6 M6 HEX NUT	4	
26	G05783-0018	镀锌螺栓 M10×25 M10×25 HEX HEAD CAP SCREW	3	
27	G06170-0005	螺母 M10 M10 NUT	4	
28	G05783-0019	镀锌螺栓 M10×30 M10×30 HEX HEAD CAP SCREW	2	
29	G00093-0003	弹垫 6 6 SPLIT LOCK WASHER	3	
30	G00093-0005	弹垫 10 10 LOCK WASHER	1	
31	341608-1127	轮 REACTION WHEEL	1	
32	341610-1123	台肩螺栓 SHOULDER SCREW	1	
33	G00071-0002	定位螺钉 M6×12 M6×12 SET SCREW	1	
34	G06170-0005	镀锌螺母 M10 M10 HEX NUT	3	
35	341609-1126	滑动块 SLIDER BLOCK	1	
36	341607-1128	锥形块 KNOB	1	
37	G05782-0001	镀锌螺栓 M10×40 M10×40 HEX HEAD CAP SCREW	2	
38	E12400-0002	电缆接头 WIRE TERMINAL END	4	



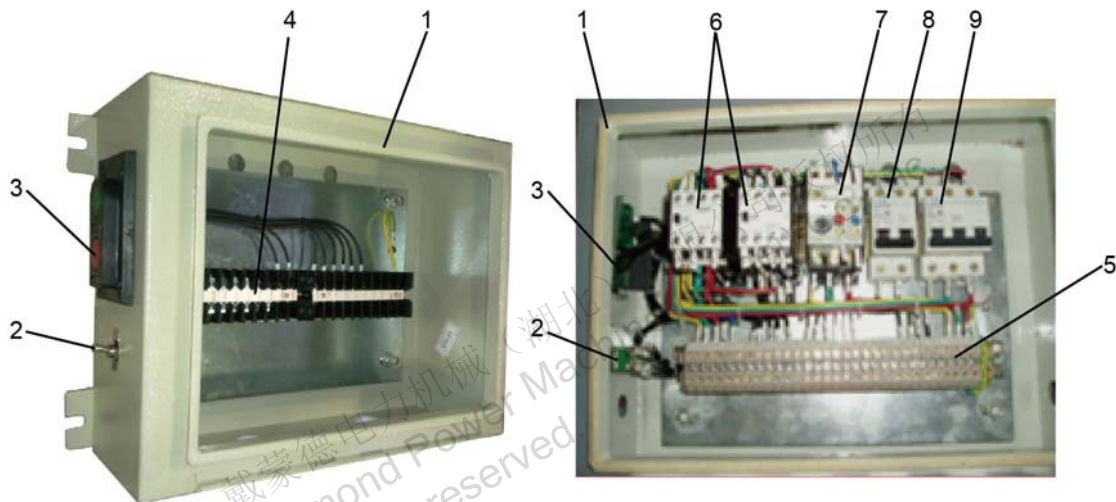
IK545 内外管辅助托架 IK545 Lance and Feed Tube Auxiliary Support Assembly - PI 3617

IK-525/545 吹灰器零件对照表 IK-525/545 Parts Identification

IK545 内外管辅助托架 IK545 Lance and Feed Tube Auxiliary Support Assembly			PI 3617	
序号 ITEM	零件号 PART NO.	名称 DESCRIPTION	数量 QTY	备注 REMARK
1	349792-010A	槽形板 CHANNEL	1	
2	334402-3035	制动轴 TRIGGER SHAFT ASSY	1	
3	334393-1022	连杆机构 LEVER ASSY	1	
4	405358-0124	长支承块 SUPPORT BLOCK	2	
5	334397-1036	轴组件 SHAFT ASSY	1	
6	334399-1141	支座 ROLLER BRACKET	1	
7	350457-0031	内管托架 SUPPORT ASSY	1	
8	G00097-0008	垫圈 16 16 WASHER	4	
9	G00091-0003	开口销 3×25 3×25 COTTER PIN	2	
11	G00093-0005	弹垫 10 10 SPLIT LOCK WASHER	6	
12	GB6170-0005	螺母 M10 M10 HEX NUT	4	
13	G05783-0020	螺栓 M10×35 M10×35 SOCKET HEAD CAP SCREW	8	
14	G05783-0017	螺栓 M10×30 M10×30 SOCKET HEAD CAP SCREW	4	
15	G05783-0024	螺栓 M12×30 M12×30 SOCKET HEAD CAP SCREW	6	
16	G00093-0006	弹垫 12 12 SPLIT LOCK WASHER	8	
17	G06170-0006	螺母 M12 M12 HEX NUT	6	
18	331696-2020	拔销 ACTUATOR BAR ASSY	1	
19	334405-1135	支座 ROLLER BRACKET	2	
20	317060-1128	滚轮套 ROLLER	2	
21	G00278-0006	球轴承 80303 80303 BALL BEARING	2	
22	G00893-0003	挡圈 47 47 RETAINING RING	4	
23	317061-1127	滚轮轴 ROLLER SHAFT	2	
24	G00879-0012	销 6×30 6×30 ROLL PIN	2	
25	334404-2126	垫片 SHIM	2	
26	G00093-0005	弹垫 10 10 LOCK WASHER	8	
27	317062-1126	定距圈 ROLLER SPACER	4	
28	G00096-0001	垫圈 12 12 WASHER	4	
29	G05782-0004	螺栓 M12×60 M12×60 HEX HEAD CAP SCREW	4	
30	G05783-0016	螺栓 M10×16 M10×16 SOCKET HEAD CUP POINT SET SCREW	1	
31	405092-0125	轴承座 PILLOW BLOCK	4	
32	G01154-0001	油嘴 B-25 M10×1 M10×1 B-25 LUBE FITTING	4	
33	G05783-0020	螺栓 M10×35 M10×35 SOCKET HEAD CAP SCREW	4	
34	G05782-0004	螺栓 M12×60 M12×60 HEX HEAD CAP SCREW	4	

IK-525/545 吹灰器零件对照表 IK-525/545 Parts Identification

IK-525/545 电气控制盒 IK-525/545 Electric Terminal Box



电气接线盒 Electric Terminal Box

单台控制盒 Control Terminal Box

序号 ITEM	零件号 PART NO.	名称 DESCRIPTION	数量 QTY	备注 REMARK
1	405261-0047	电气接线盒 ELECTRIC TERMINAL BOX	1	L=400MM
	405261-3030	单台控制盒 CONTROL TERMINAL BOX		L=550MM
2	E10401-0002	钮子开关 KN1A-202F TOGGLE SWITCH KN1A-202F	1	
3	E10402-0002	按钮开关 HA-2 BUTTON SWITCH HA-2	1	
4	E10903-0001	接线端子排 10节 WIRING TERMINAL 10 PIECES	2	PER ORDER
5	E10903-0002	接线端子排 30节 WIRING TERMINAL 30 PIECES	1	PER ORDER
6	E10103-0002	正/反转接触器 FOREWORD/REVERSAL CONTRACTOR	2	PER ORDER
7	E10204-0013	热继电器 THERMAL RELAY	1	PER ORDER
8	E10406-0004	2P,6A 空气开关 2P,6A BREAKER	1	PER ORDER
9	E10406-0005	3P,10A 空气开关 3P,10A BREAKER	1	PER ORDER

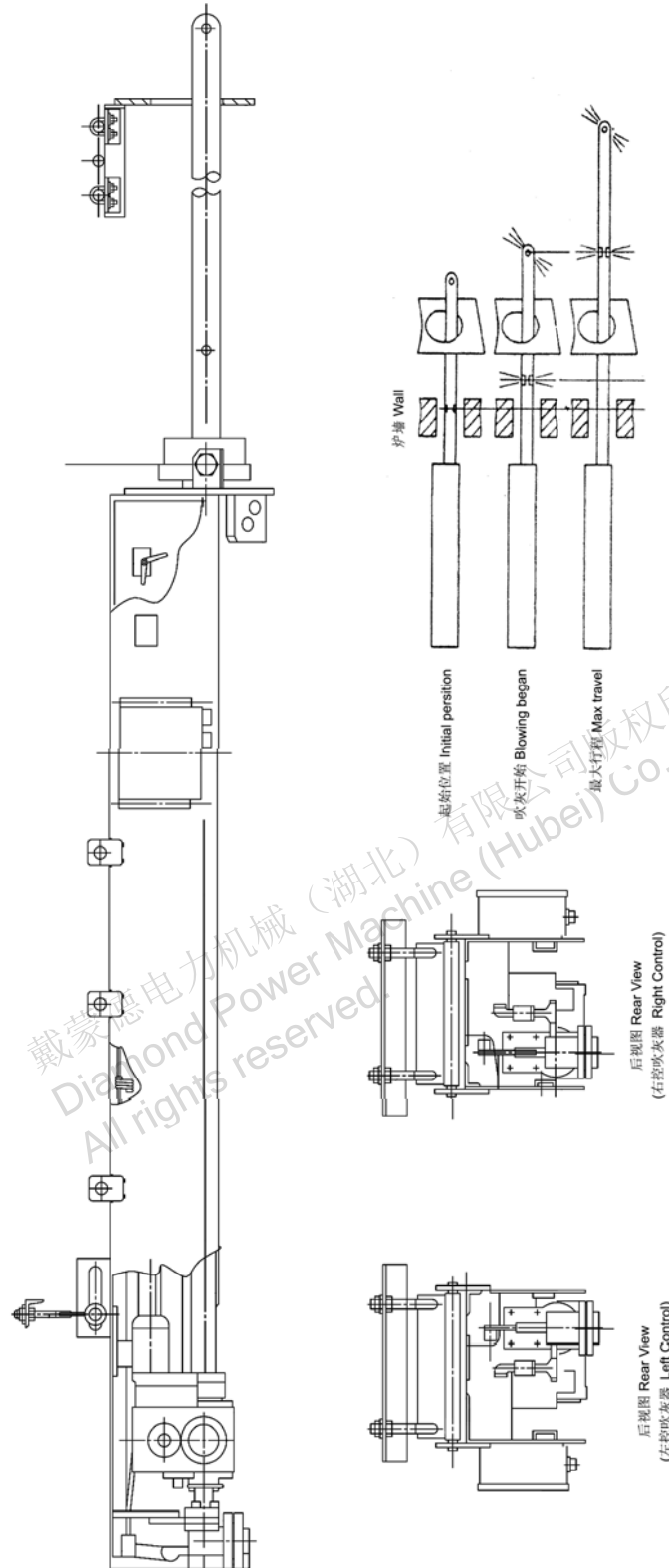
IK-525/545 吹灰器零件对照表 IK-525/545 Parts Identification

IK-525/545 专用工具 IK-525/545 Special Tools



序号 ITEM	零件号 PART NO.	名称 DESCRIPTION	数量 QTY	备注 REMARK
1	307025-1024	阀杆弹簧压卸杠 VALVE STEM SPRING DEPRESSOR	1	
2	312227-1129	阀杆填料螺母扳手 VALVE ADJUSTING WRENCH	1	
3	306761-0117	填料填充工具 PACKING FILLING TOOL	1	
4	405380-0019	手动摇把 MANUAL CRANK	1	
5	405243-0024	电动扳手 ELECTRIC CRANK	1	

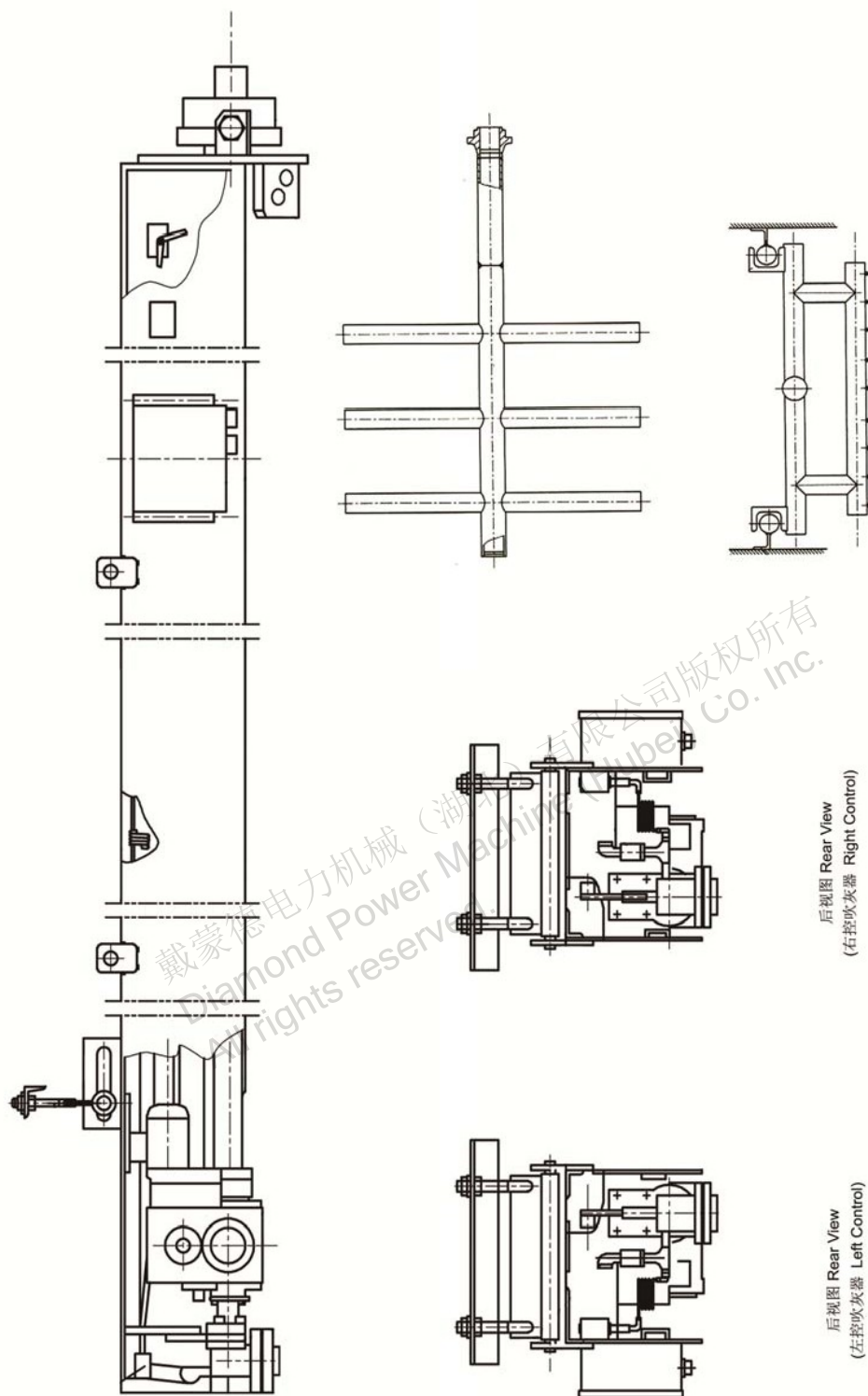
附件一：IK-525EL/545EL 吹灰器零件对照表 Attachment 1: IK-525EL/545EL Parts Identification



IK-525EL/545EL加长枪型长伸缩式吹灰器，其机构、传动原理、安装形式等与IK-525/545基本相同，零部件通用；差异处仅表现在枪管部分，其它IK-525EL/545EL吹灰器的零件请参见前面IK-525/545零件对照清单

IK-525EL/545EL named as Extended Long Retractable Sootblower. It's mechanisms, transmission principles, and installations are the same as IK525/545 and all parts are in common use. The only difference is the lance tube. Please refer to parts identification for IK-525/545,

附件二：IK-525SL 吹灰器零件对照表 Attachment 2: IK-525SL Parts Identification



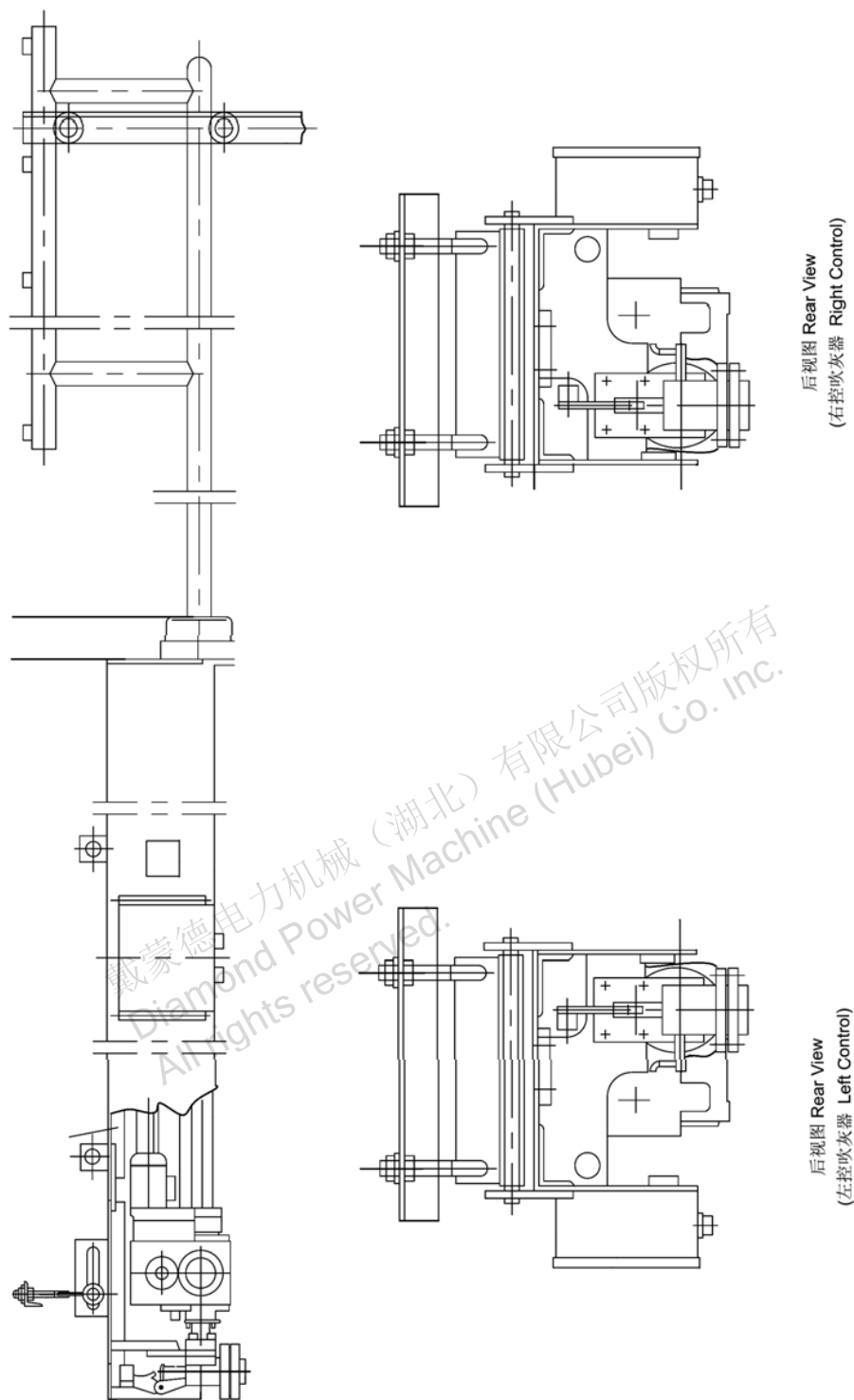
后视图 Rear View
(右控吹灰器 Right Control)

后视图 Rear View
(左控吹灰器 Left Control)

IK-525SL耙式吹灰器，其机构、传动原理、安装形式等与IK-525/545基本相似，大部分零部件可以通用。少量差异处表现在某些跑车零部件和炉内耙管等，其它IK-525SL吹灰器的零件请参见前面的IK-525/545零件对照清单

IK-525SL named as Straight-line retractable sootblower. It's mechanisms, transmission principles, and installations are basically the same as IK525/545 and most of the parts are in common use. The few differences are on the carriage and rake-tube inside boiler, etc. Please refer to parts identification for IK-525/545

附件三：IK-AH500 吹灰器零件对照表 Attachment 3: IK-AH500 Parts Identification



IK-AH空预器吹灰器，其机构、传动原理、安装形式等与IK-525/545基本相似，大部分零部件可以通用。少量差异处表现在某些跑车零部件、前支撑和炉内枪管等，其它IK-AH空预器吹灰器的零件请参见IK-525/545零件对照清单

IK-AH named as Air Heater Sootblower. It's mechanisms, transmission principles, and installations are basically the same as IK-525/545 and most of the parts are in common use. The few differences are on the carriage, front supporter and inside lance tube, etc. Please refer to parts identification for IK-525/545

We. Together.



A Century of Process Efficiency.

www.cbpg.com

Tel: 86-21-65396385 Fax: 86-21-65661886

©2024 克莱德贝尔格曼(湖北)机械有限公司版权所有
©2024 Clyde Bergemann DPMH Machinery Co.,Ltd. All rights reserve.